

AT40 LED DOWNLIGHT



* Product features:

- High-quality LEDs provided by Samsung/ Seoul Semiconductor/ Nichia/ Lumiled with excellent performance
- High CRI of 90/ Sunlike for high color accuracy
- Die-cast aluminum housing with perfect heat dissipation
- Targeted beam angle for perfect accent lighting
- Deep reflector for a perfect anti-glare effect
- 360 degrees horizontally and 30 degrees vertically rotating
- Long lifespan: 30,000 hours, saving the maintenance cost
- CE, KC certified

* Applications:

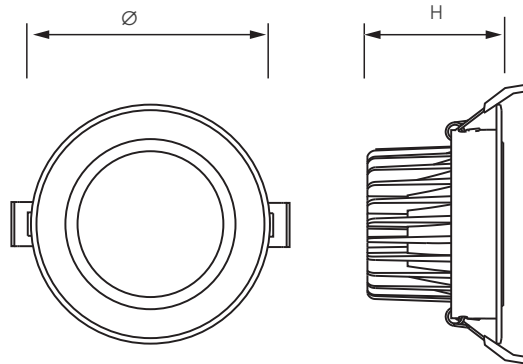
- Suitable for Home, office, restaurant, hotel, supermarket, commercial centers, showrooms, etc.



PRODUCT DETAILS



PRODUCT SPECIFICATIONS

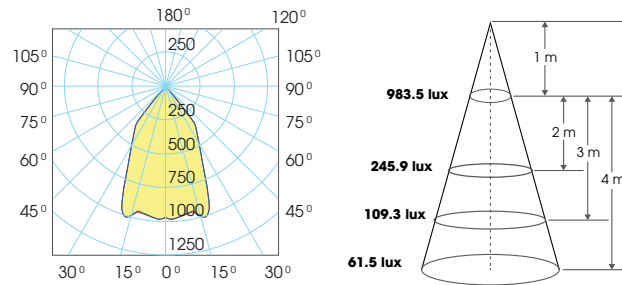


Model	Dimension ØxH (mm)	Power (W)	Voltage (V)	Power factor	Luminous flux (lm)	Luminous Efficacy (lm/W)	CCT (K)	CRI (Ra)	Beam angle (°)	Cut out Øc (mm)	Life span (hrs)
AT40 95/12W	108x65	12	120/220÷240/100÷277	0.5/0.9	1020	85	3000/4000/5000/5700/6500	90	50	95	30,000

Capacity: 11.2 million pieces per year

Customizable: Power, Voltage (120/220÷240/100÷277), PF (0.5/0.9), lm/W, CCT (3000/4000/5000/5700/6500K), CRI (80/90/Sunlike), Driver (isolated/Dim- Triac), lifespan, etc.

LUMINOUS INTENSITY DISTRIBUTION



PACKING AND TRANSPORTATION



Type of lamps	Quantity in master box (pcs)	Estimated quantity / 20'DC	Estimated quantity / 40'HC
AT40 95/12W	12	21,672	49,764

Customizable according to customer's request



Exported markets: EU, South Korea, etc.



RANG DONG LIGHT SOURCE AND VACUUM FLASK JOINT STOCK COMPANY

Add: 87- 89 Ha Dinh Street, Thanh Xuan, Hanoi, Vietnam

Tel: (84-24) 3 858 4310 / 3 858 4165

Fax: (84-24) 3 858 5038

Email: export@rangdong.com.vn



Specifications are subject to change without prior notice